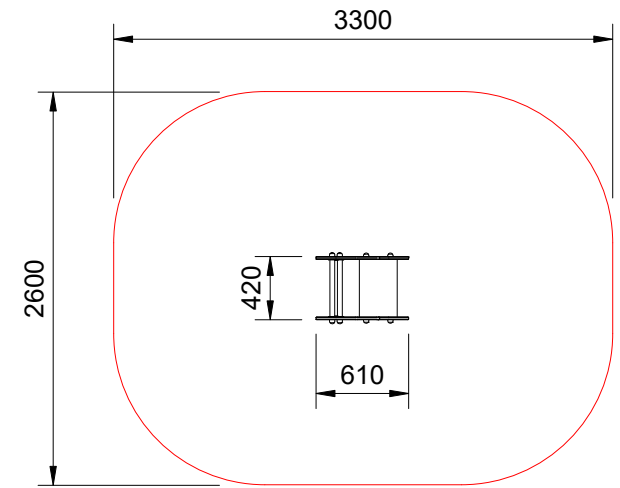
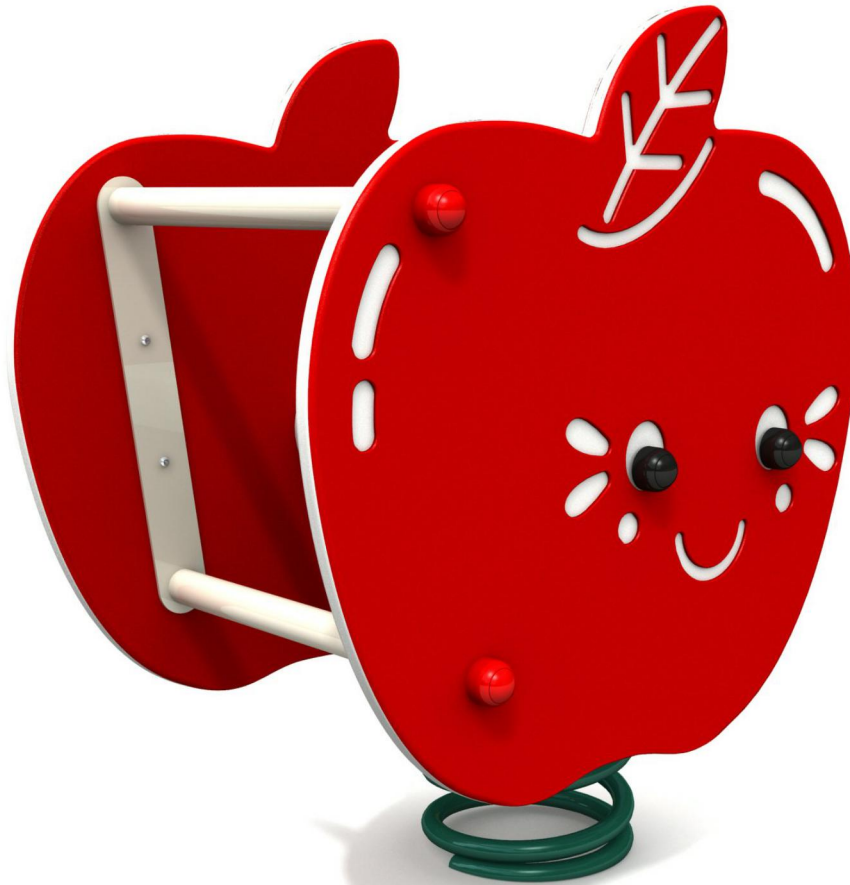
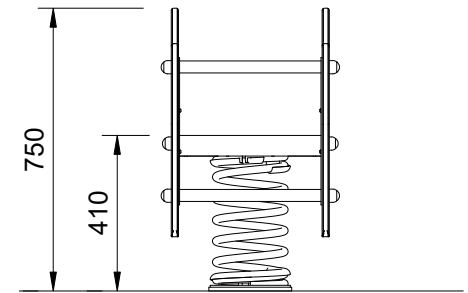




CULTIVATION



Plan View
Scale: 1:50



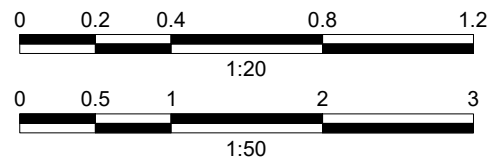
Elevation
Scale: 1:20

Specifications:

| | |
|-----------------------------|-----------------|
| Product Range | Cultivation |
| Target Age Range | 2 - 6 Years |
| Max Equipment Height | 750mm |
| Critical Fall Height | 600mm |
| Soft Fall Area | 8m ² |

Legend:

- Impact Area as per AS4685:2021
- Free Space as per AS4685:2021
- Recommended Clearance Area
- Education Department Minimum
- Provide impact attenuating surfacing to impact area as per AS4422:2016 and AS4685.1:2021.



Scalebars (m)

Do Not Scale For Dimensions

