



RESILIENCE



**ACTIVITY
PLAYGROUNDS**

Activity Playgrounds Pty Ltd

☎ 1800 062 541

✉ office@activityplaygrounds.com.au

🌐 activityplaygrounds.com.au

AP7223A Oaktree
Combination Unit

Range: Resilience
Equipment Illustration
Sheet 1 of 4



Activity Playgrounds Pty Ltd
Designed & Manufactured by Australians for the Children of Australia



RESILIENCE



**ACTIVITY
PLAYGROUNDS**

Activity Playgrounds Pty Ltd

☎ 1800 062 541

✉ office@activityplaygrounds.com.au

🌐 activityplaygrounds.com.au

**AP7223A Oaktree
Combination Unit**

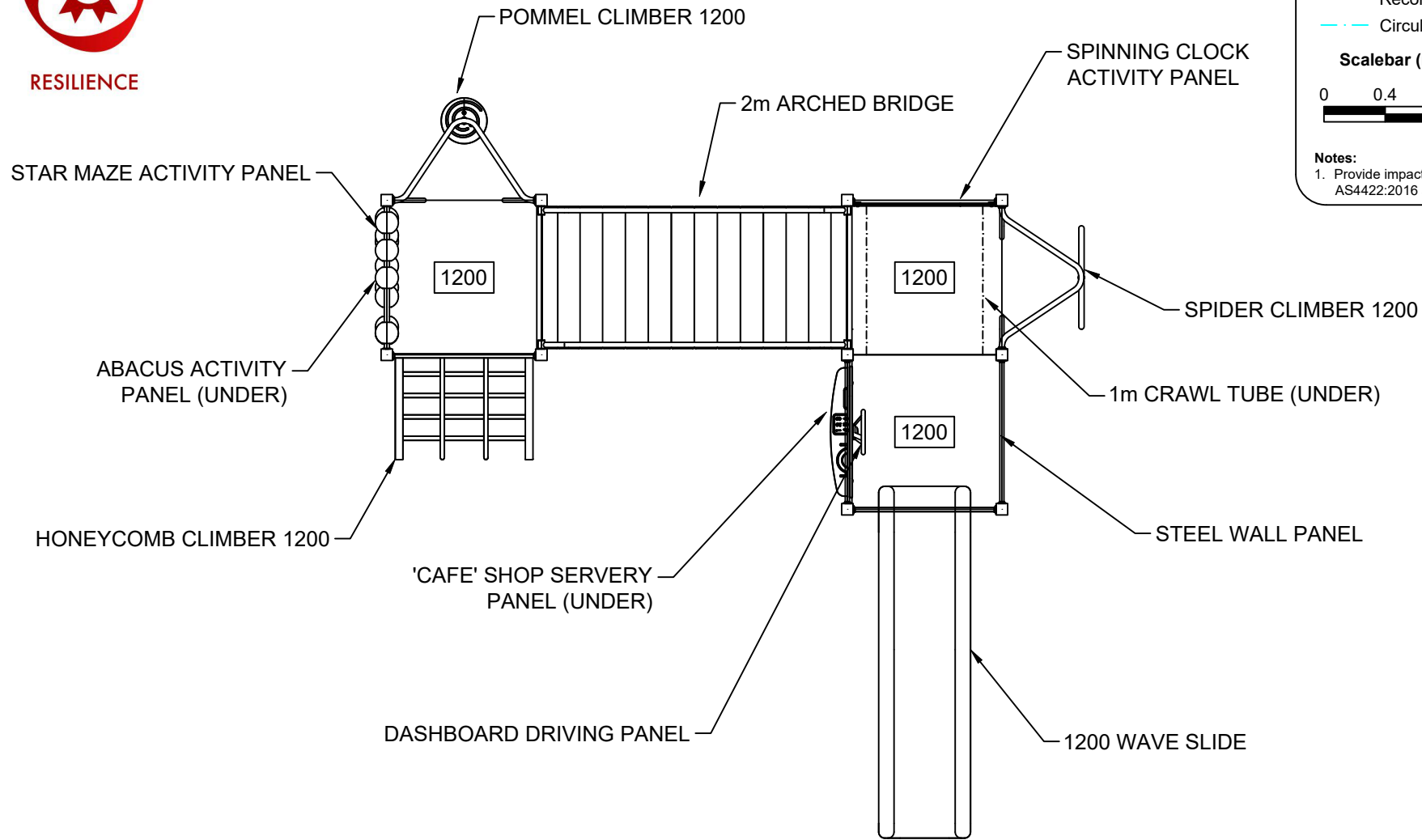
Range: Resilience
Equipment Illustration
Sheet 2 of 4



Activity Playgrounds Pty Ltd
Designed & Manufactured by Australians for the Children of Australia



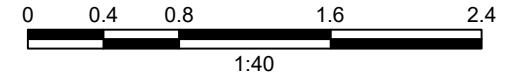
RESILIENCE



Legend:

- Impact Area as per AS4685:2021
- Free Space as per AS4685:2021
- - - Recommended Surfacing Area
- - - Circulation Area as per AS4685:2021

Scalebar (m): (Do Not Scale For Dimensions)



Notes:

1. Provide impact attenuating surfacing to impact area as per AS4422:2016 and AS4685.1:2021.



Activity Playgrounds Pty Ltd

- ☎ 1800 062 541
- ✉ office@activityplaygrounds.com.au
- 🌐 activityplaygrounds.com.au

**AP7223A Oaktree
Combination Unit**

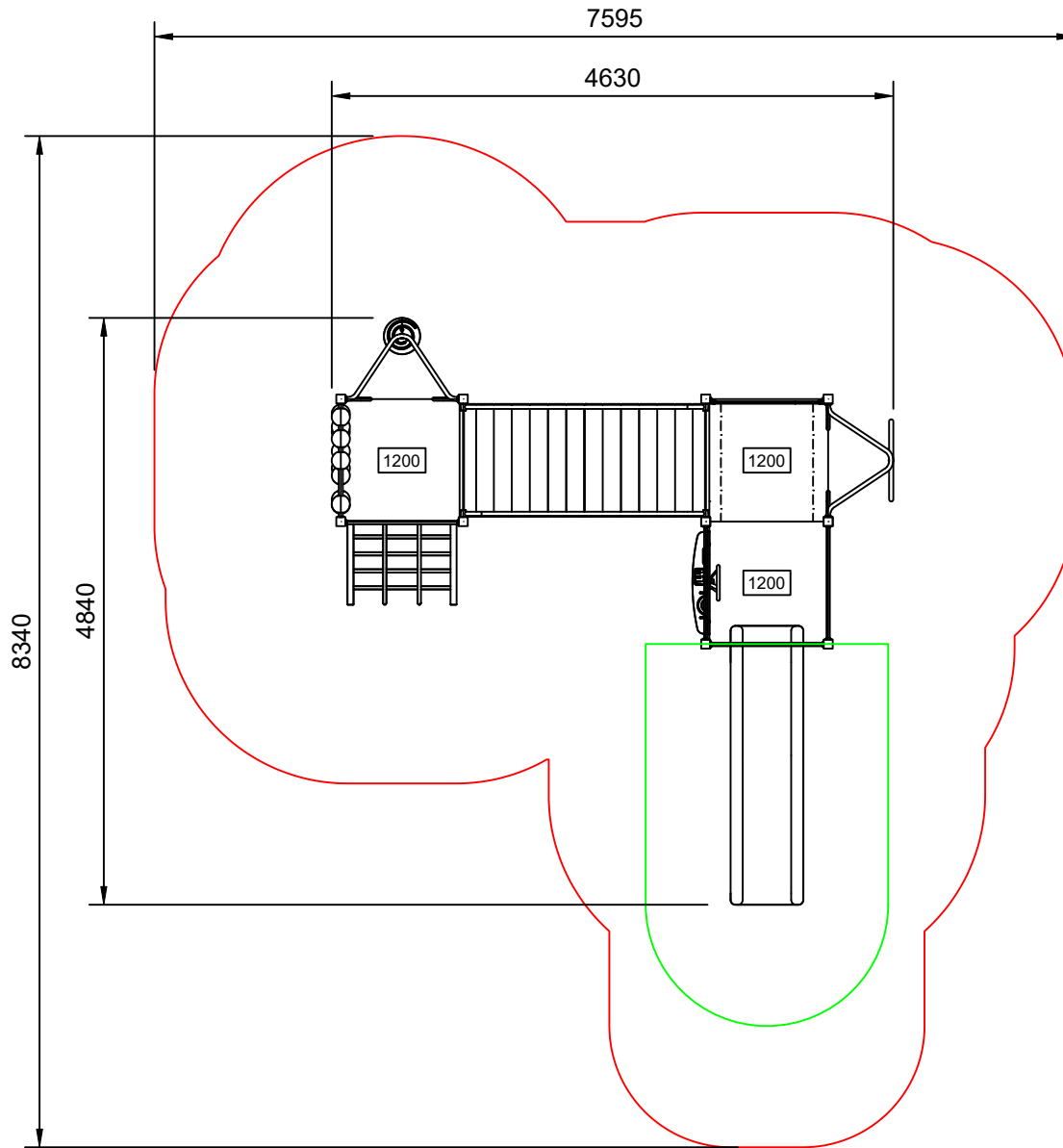
**Range:Resilience
Equipment Layout
Sheet 3 of 4**



Activity Playgrounds Pty Ltd
Designed & Manufactured by Australians for the Children of Australia



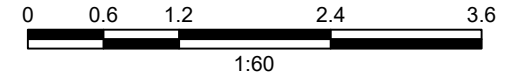
RESILIENCE



Legend:

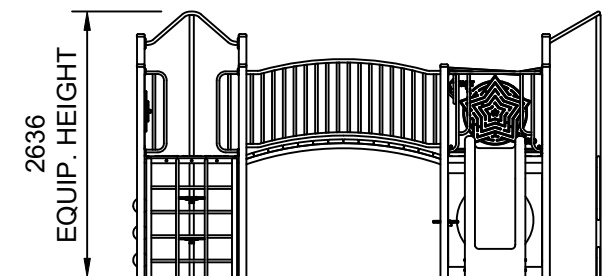
- Impact Area as per AS4685:2021
- Free Space as per AS4685:2021
- Recommended Surfacing Area
- Circulation Area as per AS4685:2021

Scalebar (m): (Do Not Scale For Dimensions)



Notes:

1. Provide impact attenuating surfacing to impact area as per AS4422:2016 and AS4685.1:2021.



NOT TO SCALE



Activity Playgrounds Pty Ltd

- ☎ 1800 062 541
- ✉ office@activityplaygrounds.com.au
- 🌐 activityplaygrounds.com.au

**AP7223A Oaktree
Combination Unit**

Range: Resilience
Impact Area & Free Space
Sheet 4 of 4



Activity Playgrounds Pty Ltd
Designed & Manufactured by Australians for the Children of Australia