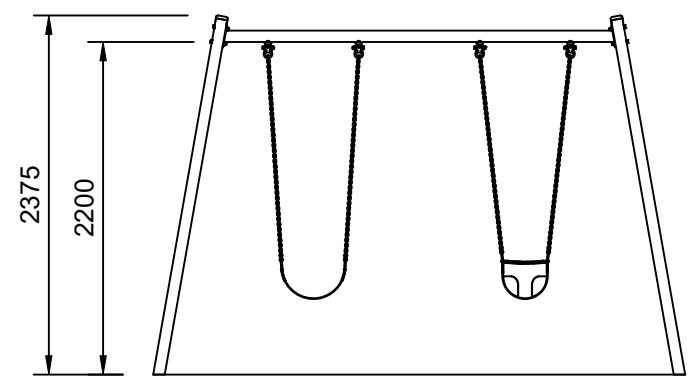


Plan View  
Scale: 1:90



Elevation  
Scale: 1:50

### Specifications:

<b>Product Range</b>	Resilience
<b>Target Age Range</b>	2-6 Years
<b>Max Equipment Height</b>	2375mm
<b>Critical Fall Height</b>	1325mm
<b>Soft Fall Area</b>	24m <sup>2</sup>

### Legend:

- Impact Area as per AS4685:2021
  - Free Space as per AS4685:2021
  - - - Recommended Clearance Area
  - - - Circulation Area as per AS4685:2021
- Provide impact attenuating surfacing to impact area as per AS4422:2016 and AS4685.1:2021.

