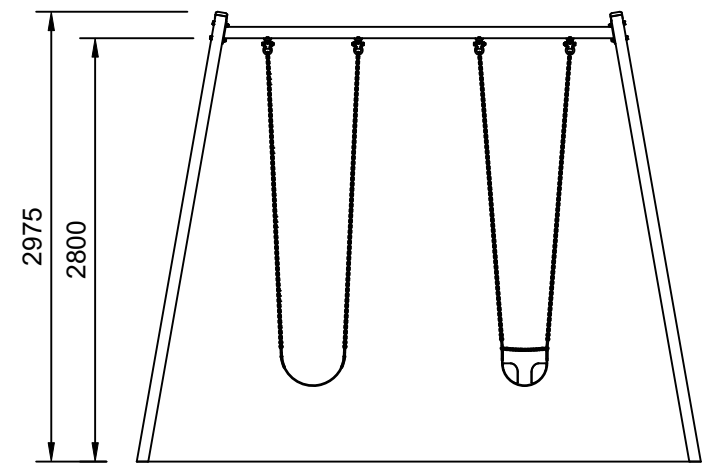


Plan View
Scale: 1:90



Elevation
Scale: 1:50

Specifications:

Product Range	Resilience
Target Age Range	2-12 Years
Max Equipment Height	2975mm
Critical Fall Height	1625mm
Soft Fall Area	28m ²

Legend:

- Impact Area as per AS4685:2021
 - Free Space as per AS4685:2021
 - - - Recommended Clearance Area
 - - - Circulation Area as per AS4685:2021
- Provide impact attenuating surfacing to impact area as per AS4422:2016 and AS4685.1:2021.

