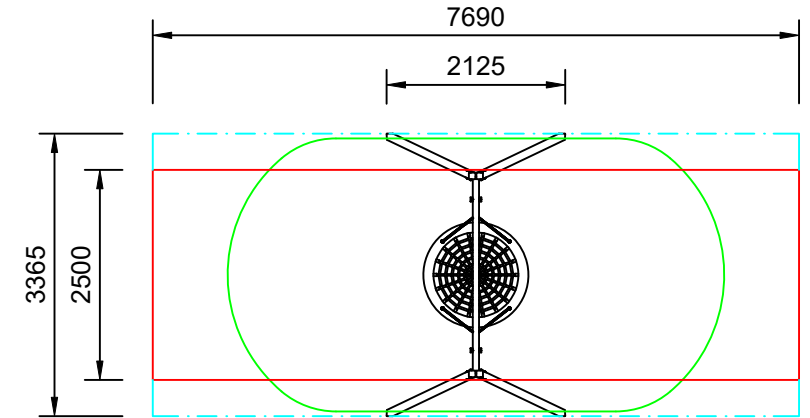
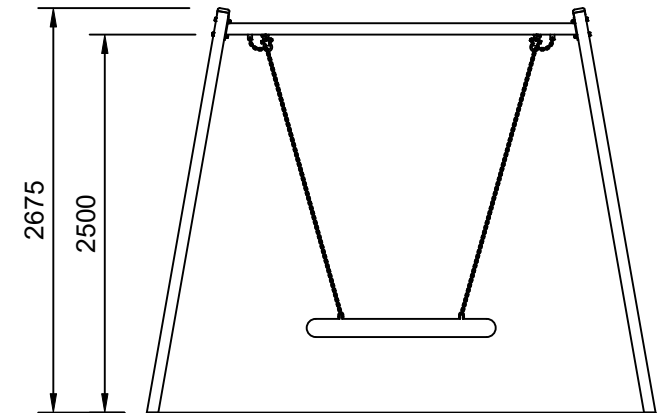




RESILIENCE



Plan View  
Scale: 1:90



Elevation  
Scale: 1:50

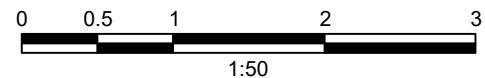
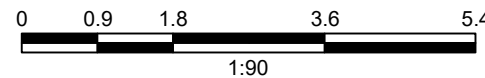
### Specifications:

|                      |                  |
|----------------------|------------------|
| Product Range        | Resilience       |
| Target Age Range     | 2-8 Years        |
| Max Equipment Height | 2675mm           |
| Critical Fall Height | 1540mm           |
| Soft Fall Area       | 20m <sup>2</sup> |

### Legend:

- Impact Area as per AS4685:2021
- Free Space as per AS4685:2021
- - - Recommended Clearance Area
- - - Circulation Area as per AS4685:2021

• Provide impact attenuating surfacing to impact area as per AS4422:2016 and AS4685.1:2021.



### Scalebars (m)

Do Not Scale For Dimensions

