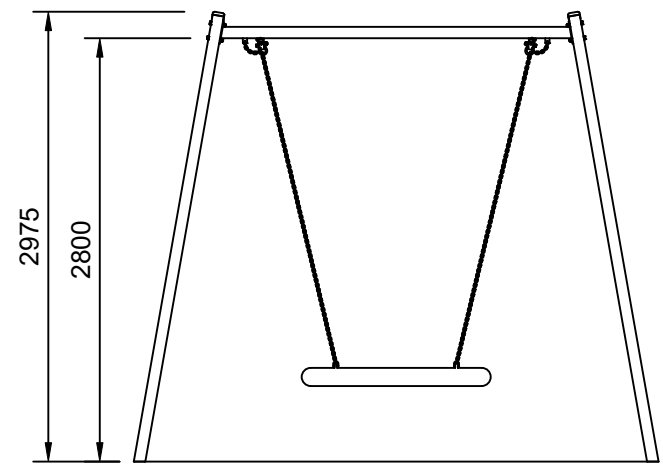


Plan View  
Scale: 1:90



Elevation  
Scale: 1:50

### Specifications:

Product Range	Resilience
Target Age Range	2-12 Years
Max Equipment Height	2975mm
Critical Fall Height	1690mm
Soft Fall Area	21m <sup>2</sup>

### Legend:

- Impact Area as per AS4685:2021
  - Free Space as per AS4685:2021
  - - - Recommended Clearance Area
  - - - Circulation Area as per AS4685:2021
- Provide impact attenuating surfacing to impact area as per AS4422:2016 and AS4685.1:2021.

